

# ASSEMBLY INSTRUCTIONS

PLEASE KEEP THIS FOR FUTURE REFERENCE

## MODEL : HYBRID 950 SCREEN MOUNTING SYSTEM

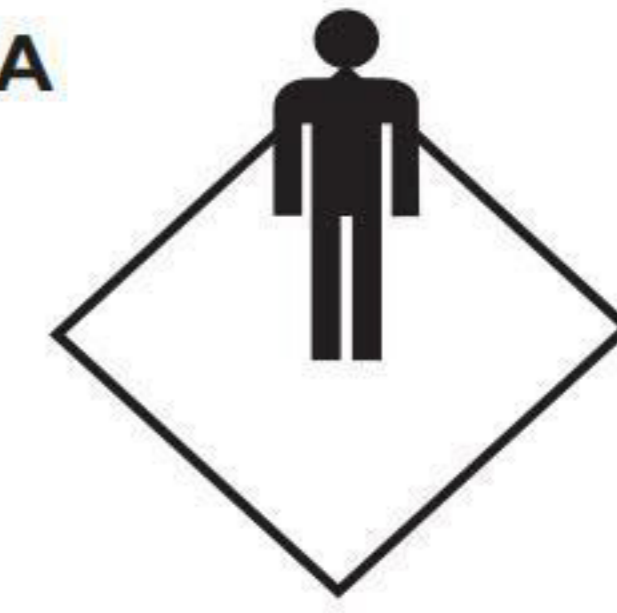
# 30 mins

APPROXIMATE ASSEMBLY TIME



2 PERSON ASSEMBLY

FLOOR AREA  
2.0M X2.0M

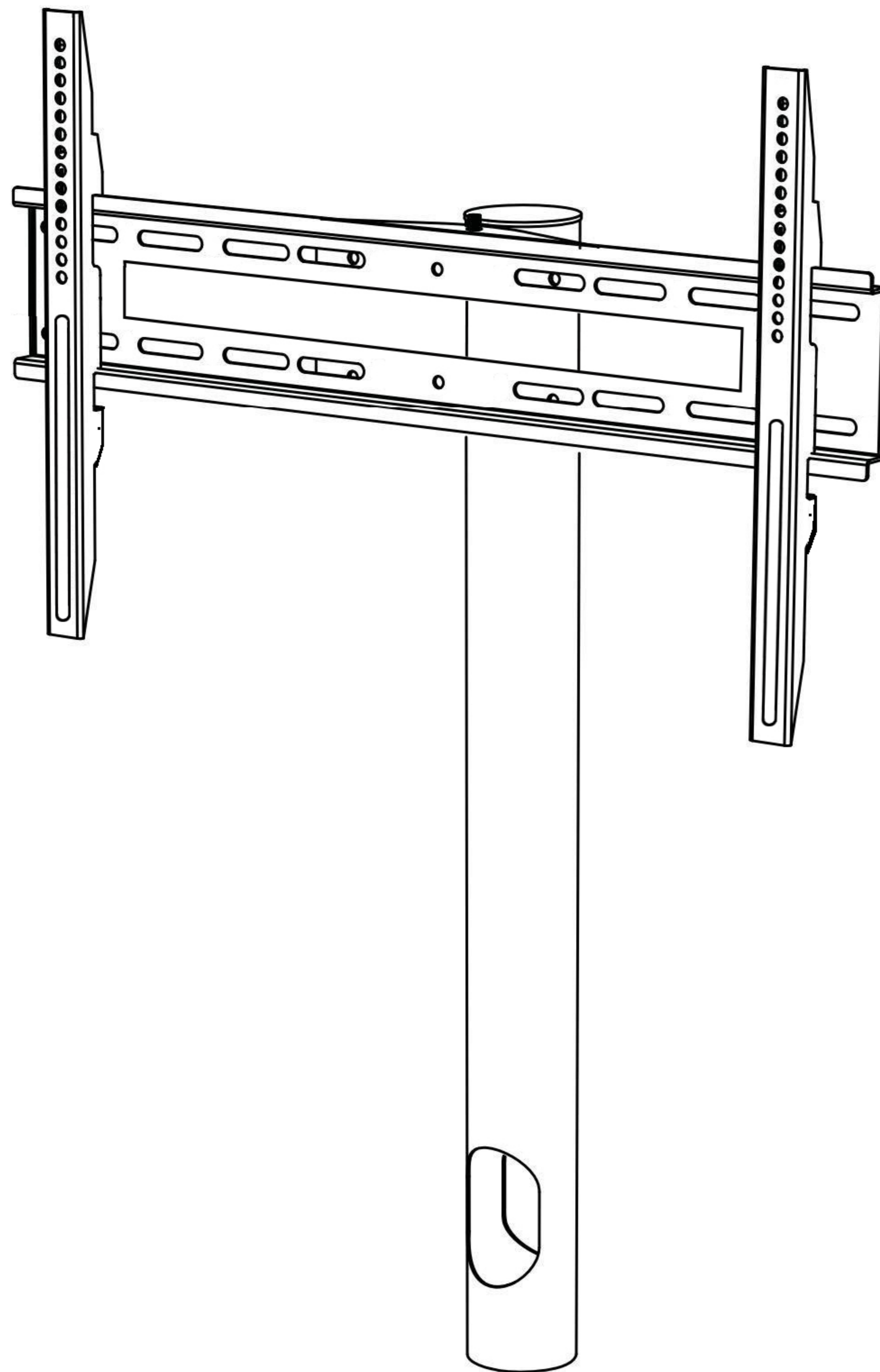


REQUIRED ASSEMBLY SPACE

### TOOLS REQUIRED



CROSS-HEAD SCREWDRIVER



# HYBRID

SYSTEM COMPATIBLE



THIS ITEM IS INTENDED ONLY FOR USE WITH MDA DESIGNS  
HYBRID COMPATIBLE MODELS



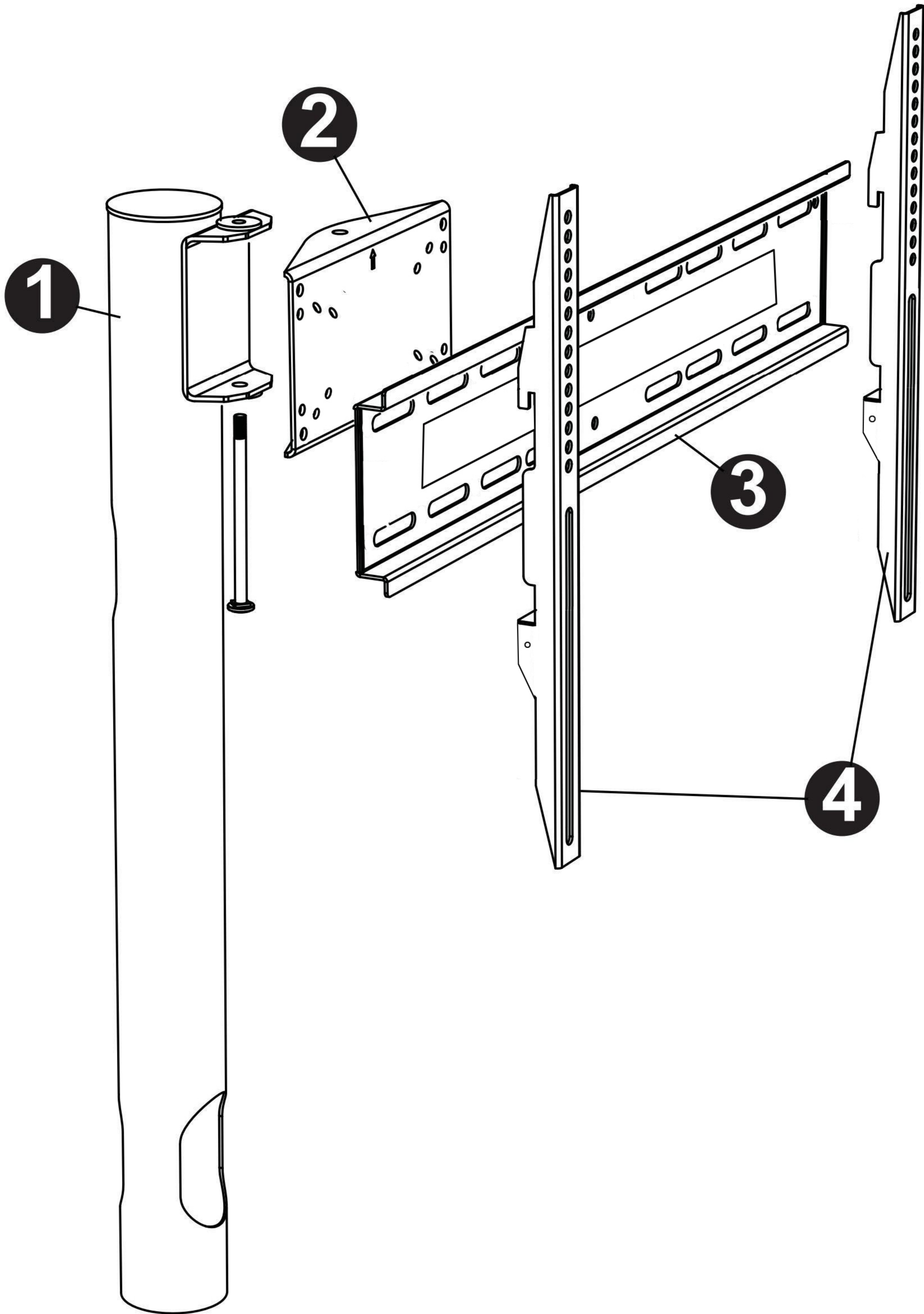
**MDA**  
DESIGNS  
BRINGING DESIGN TO LIFE



[www.mda-designs.co.uk](http://www.mda-designs.co.uk)

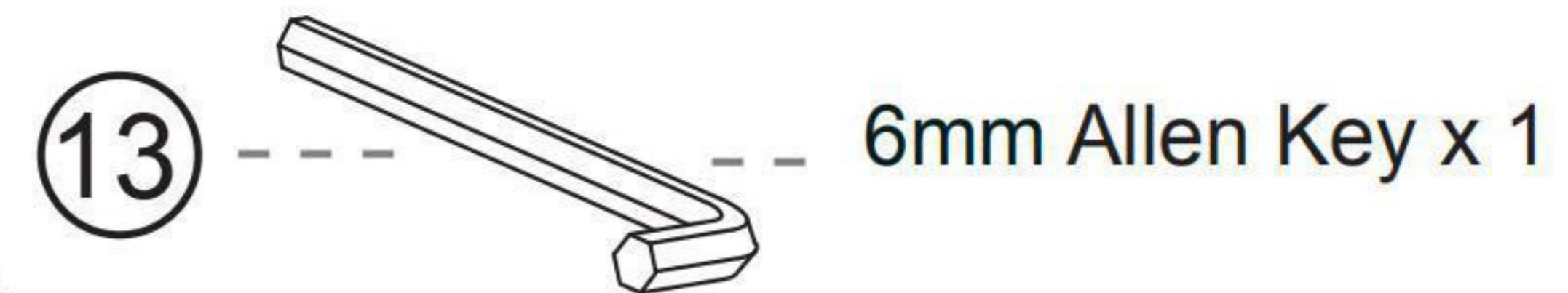
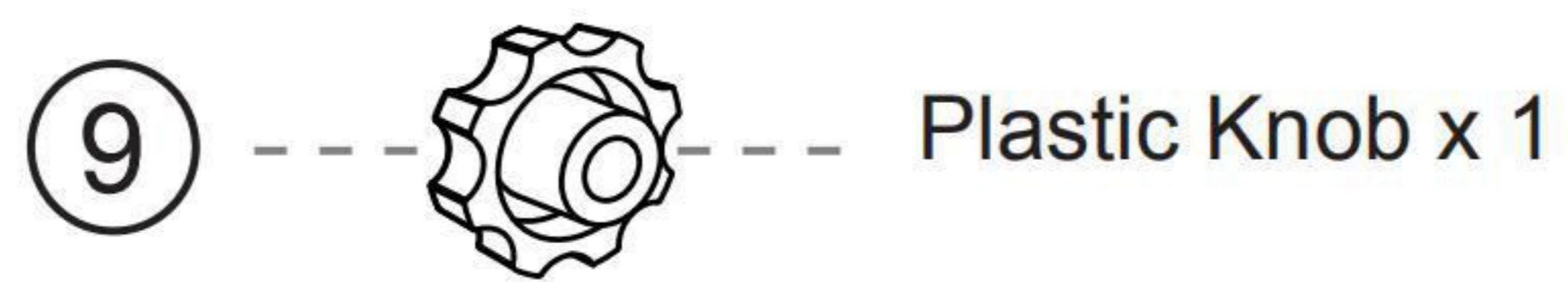
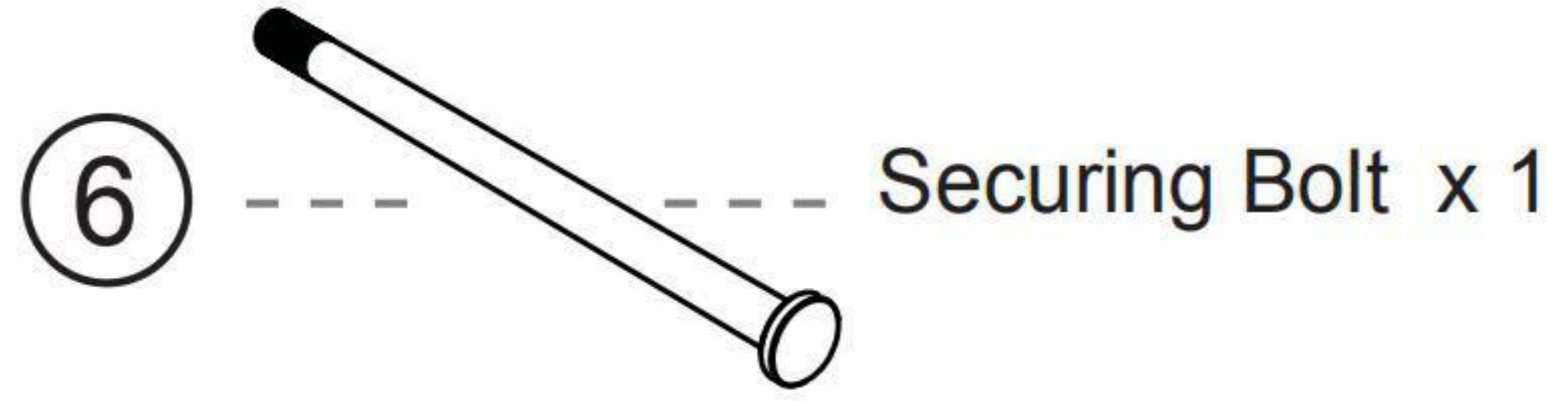
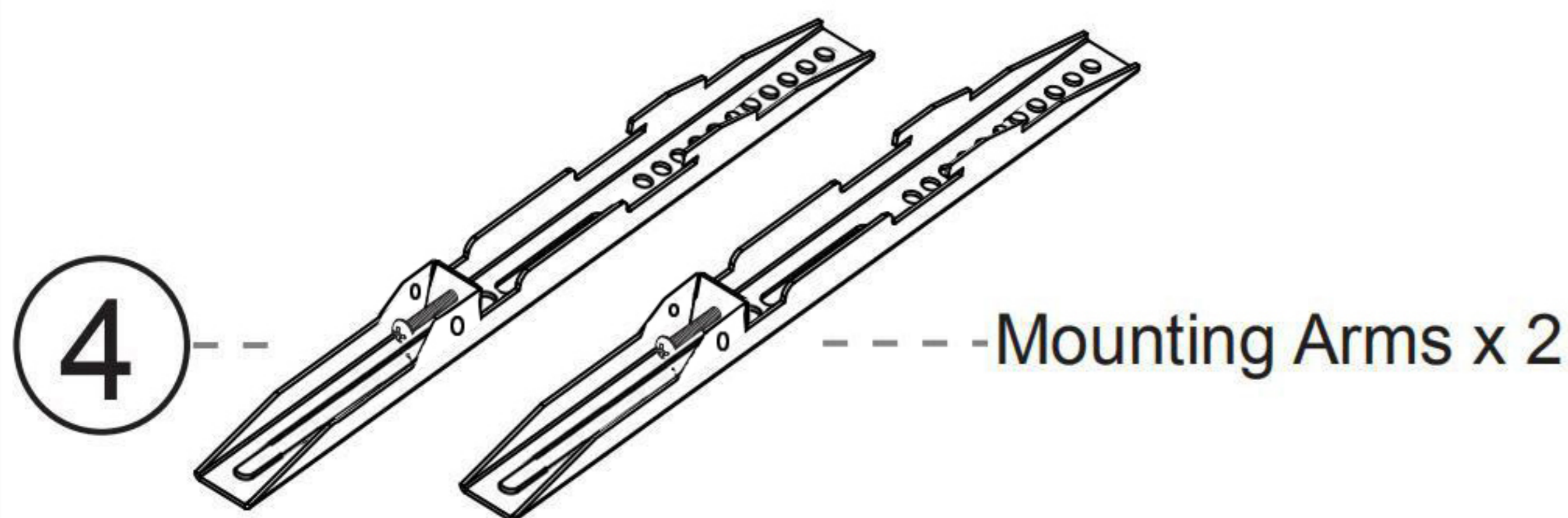
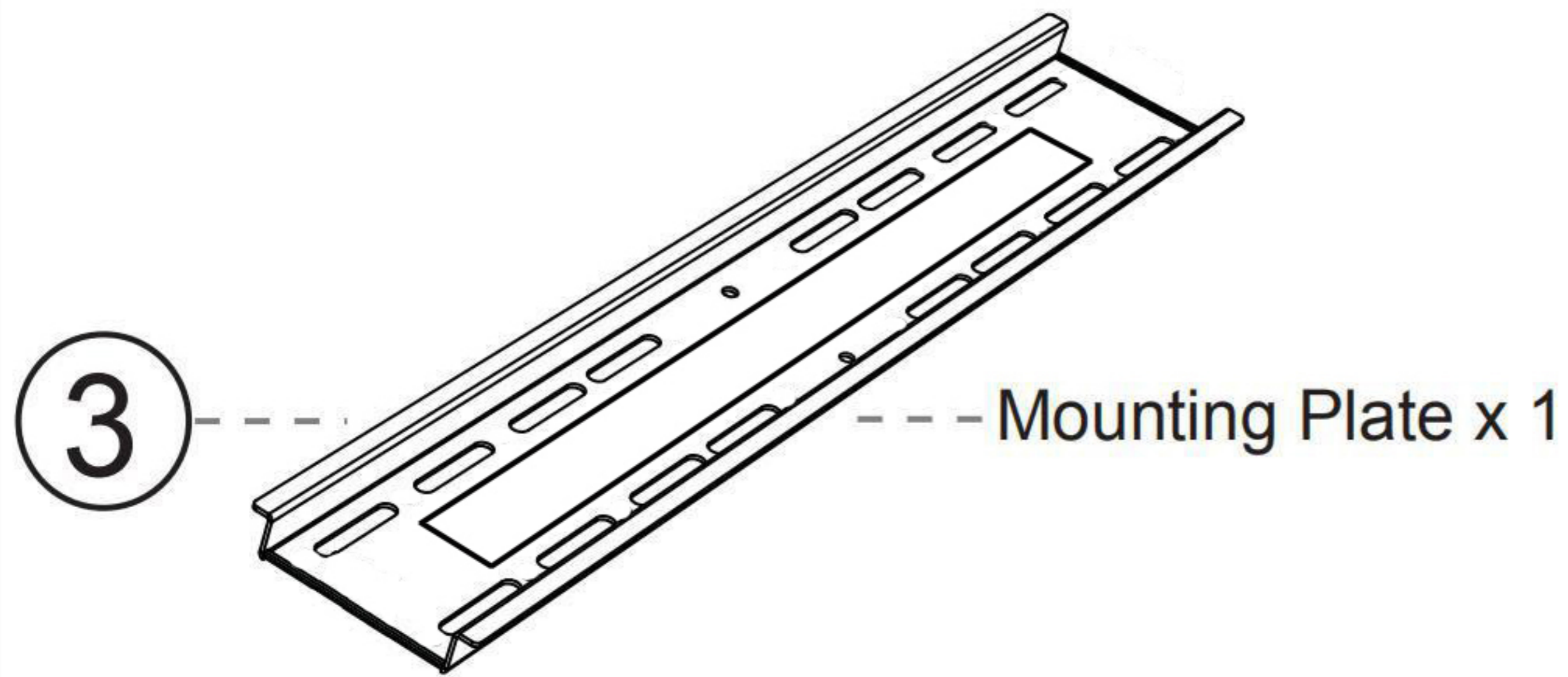
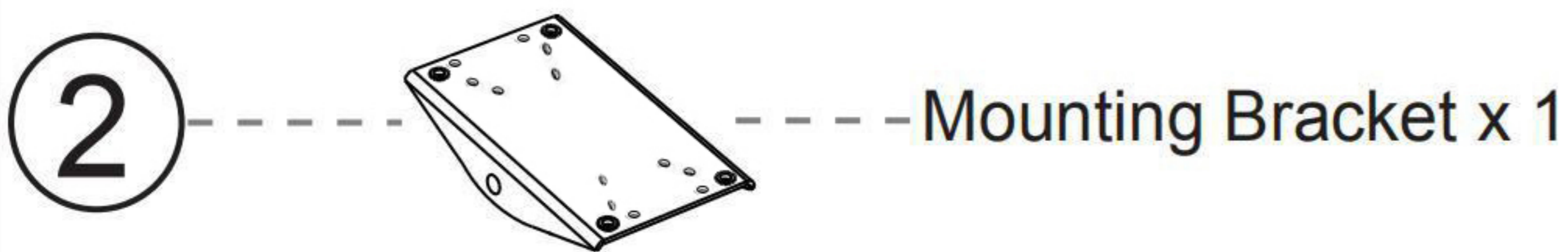
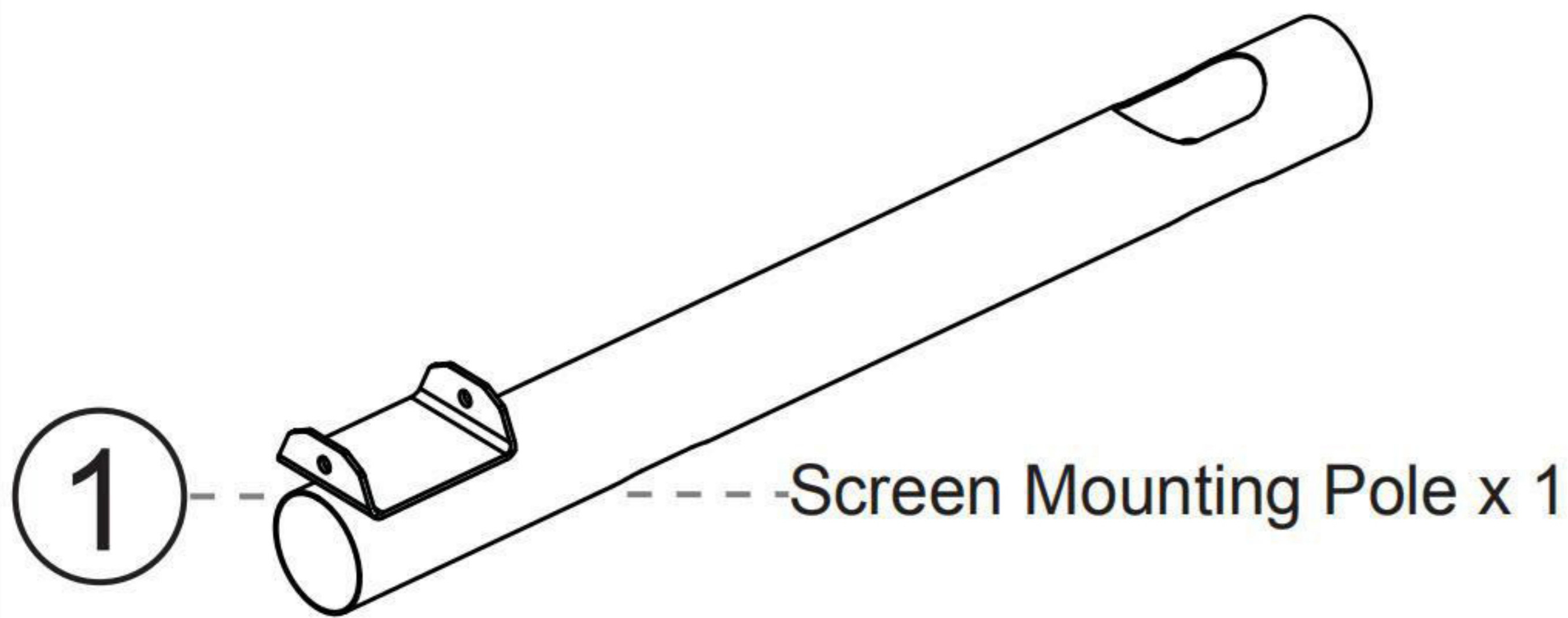
**MODEL : HYBRID 950**  
**SCREEN MOUNTING SYSTEM**

**EXPLODED VIEW**



# MODEL : HYBRID 950 SCREEN MOUNTING SYSTEM

## Parts List



## Screen Mounting Fixings



# MODEL : HYBRID 950

## SCREEN MOUNTING SYSTEM

### Top Tips before you start!

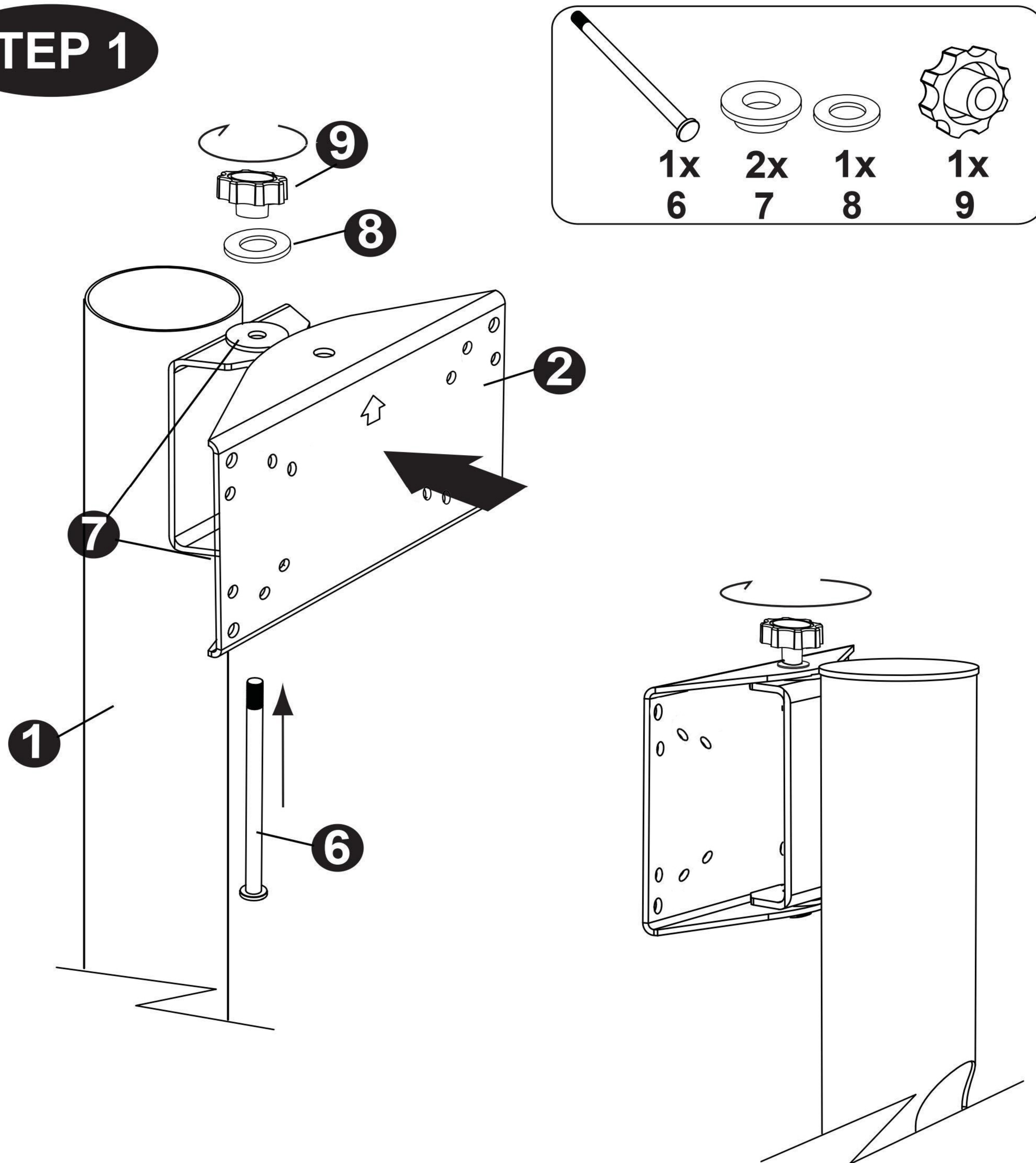
1. Please check that all parts are present before you start the assembly of your furniture.
2. For ease and speed of assembly, we recommend that before you commence each step of the assembly, that you identify all the parts required for that step.
3. For larger items, please ensure that you have sufficient space and people ( as indicated on page 1) to assemble your product safely
4. We recommend that, where possible, all items are assembled near to the area in which they will be placed in use, to avoid moving the product unnecessarily once assembled.
5. For the protection of your furniture, particularly items of high gloss finish, we recommend that the product is placed on a protected surface during assembly to prevent any damage.
6. During assembly please take care not to over-tighten any fittings, as this may damage the product.

### Care and Maintenance of your Furniture

- Please periodically check all fittings and re-tighten as necessary.
- Please do not sit or stand on this item.
- Never allow any kind of liquid to remain on your furniture, Absorption can cause wood to warp or finishes to de-laminate
- Please do not drag and pull your furniture.
- If the glass is chipped or broken, stop using the product and consult the manufacturer or supplier.
- Please do not place very hot or very cold items on the glass surface, unless adequately thick table mats are used to prevent such items from coming into contact with the glass.
- Please do not use the glass as a chopping surface. Do not strike the glass with hard or pointed items.
- When cleaning glass panels use a damp cloth or leather with washing up liquid or soft soap if necessary, do not use washing powders or any other substances containing abrasives since these substances scratch glass.
- The glass used in this product is toughened and complies with BS EN 12150-1:2000, clauses 8.3 & 8.4

# MODEL : HYBRID 950 SCREEN MOUNTING SYSTEM

## STEP 1



The Mounting Pole is now ready to be fitted to a Hybrid Compatible unit. Please refer to the instructions specific to the unit you wish to fit this system to for fitting instructions. Use the M6 x 30mm Bolts (part 5) & Metal Washers (Part 8) supplied with this unit.

Once the Mounting Pole is fitted to the unit then commence to Step 2.

# MODEL : HYBRID 950 SCREEN MOUNTING SYSTEM

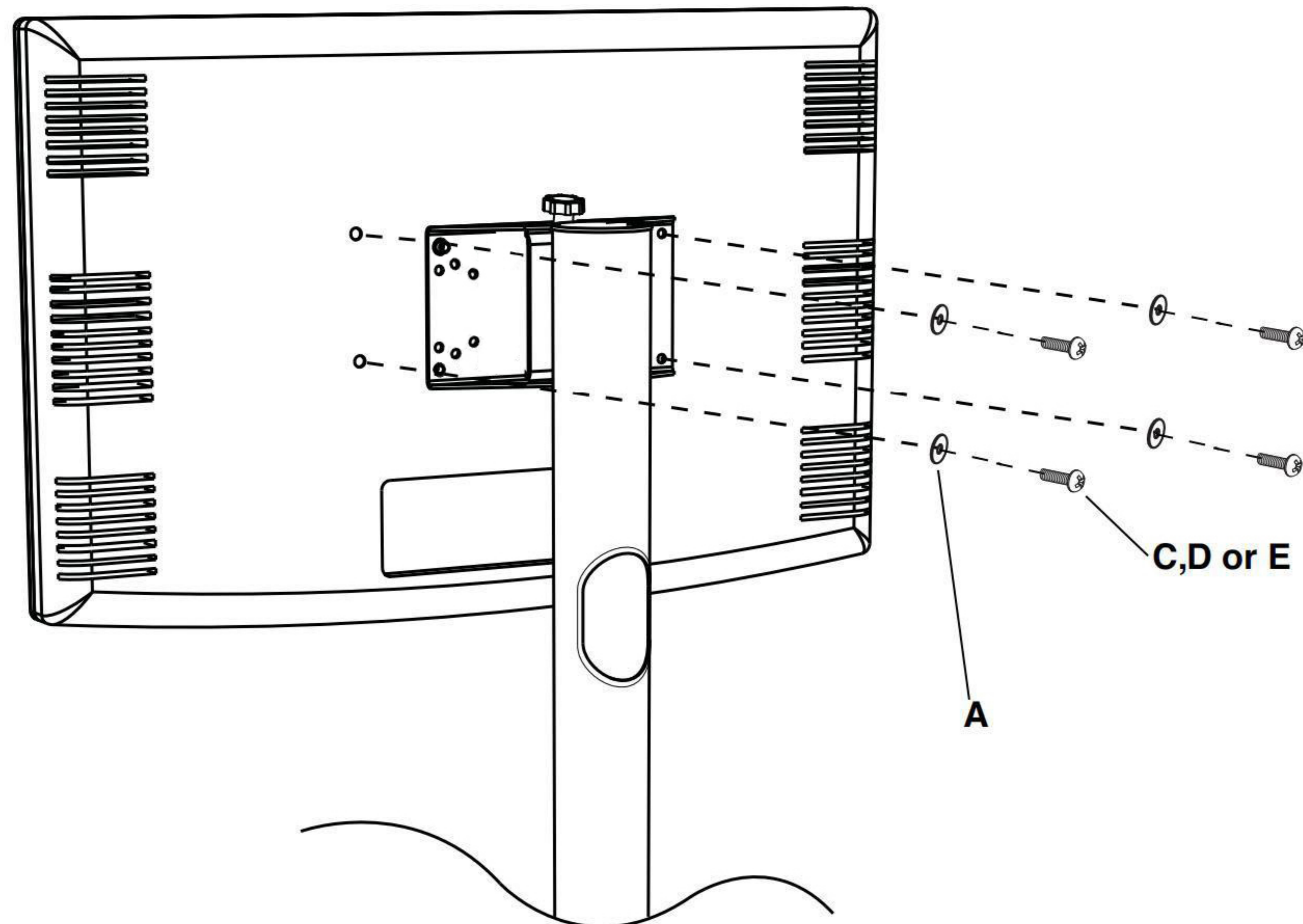
**NOTE : There are 2 options for mounting your TV screen to the mounting system :**

1) If your screen has 75 x 75mm, 100 x 100mm or 200 x 100mm fixing points you can mount the screen directly to the small mounting bracket (2) (Stage 2 below).

## STEP 2

PLEASE SELECT THE SCREEN MOUNTING SCREWS WITH GREAT CARE ENSURE THE BOLTS USED ARE NOT ABLE TO PROTRUDE MORE THAN 10mm INTO THE THREADED SECTION OF THE MOUNTING POINT IN THE BACK OF THE TV SCREEN.

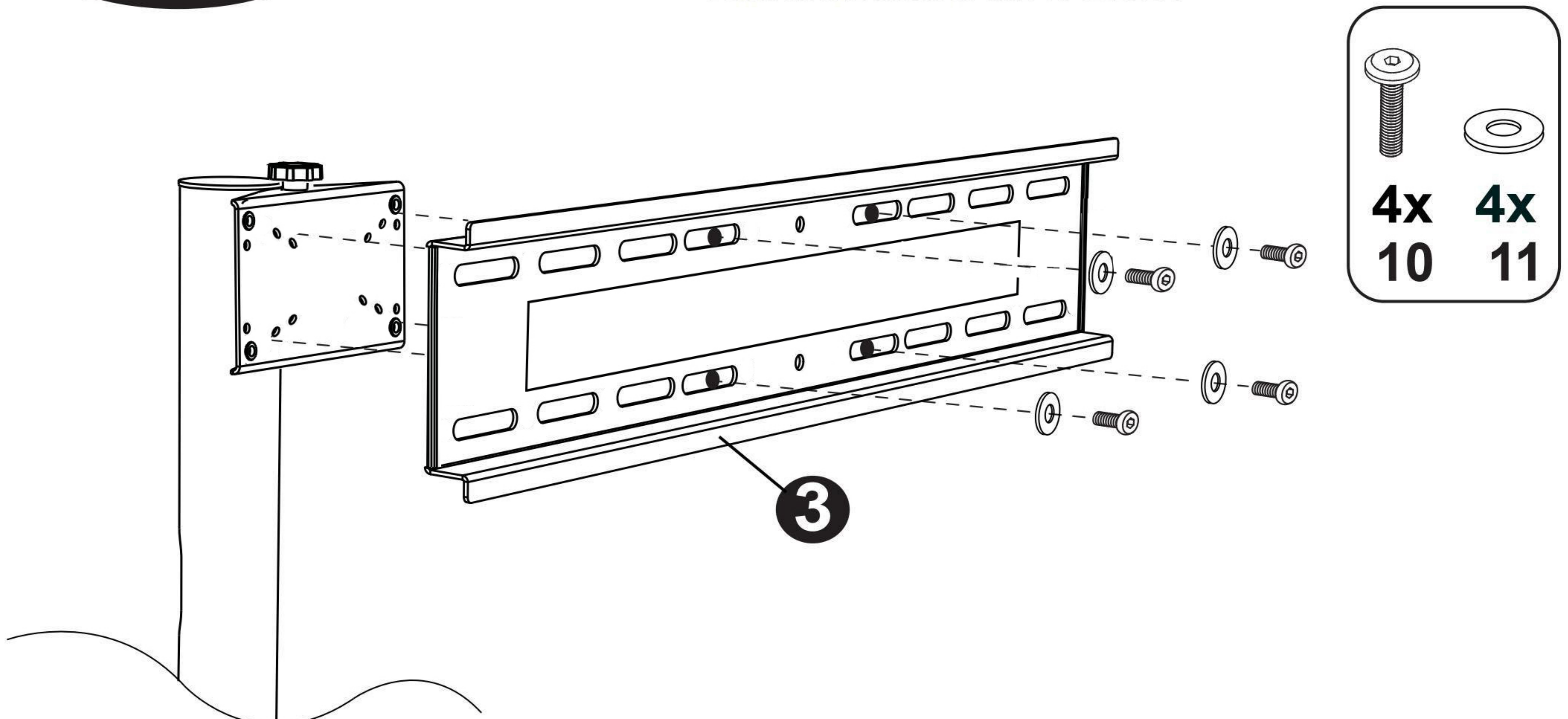
Two persons are required to fit screen to stand



2) If your screen has larger fixing points please use the Mounting Plate (3) & Mounting Arms (4). Refer to stages 3, 4, 5 & 6

## STEP 3

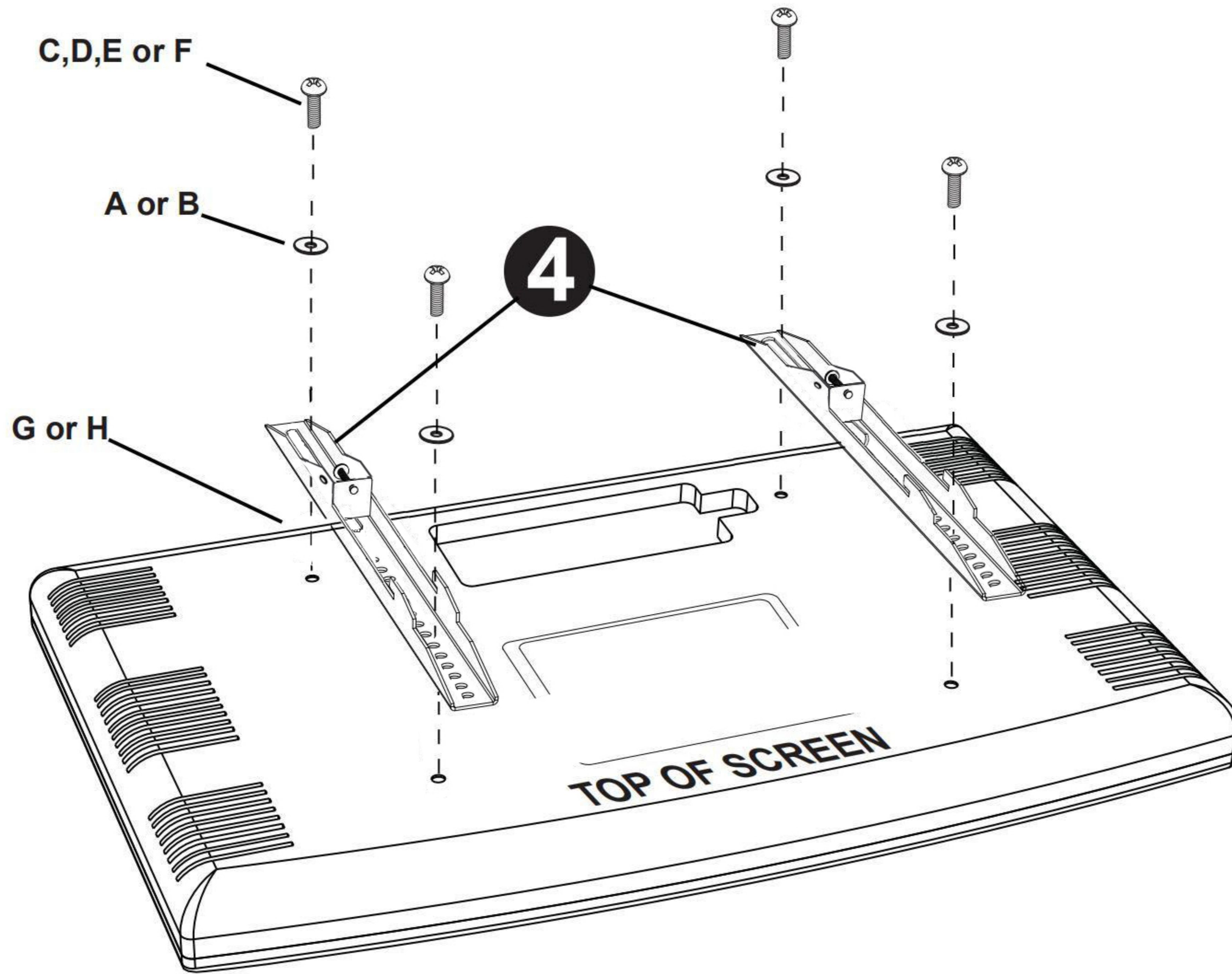
PLEASE SELECT THE SCREEN MOUNTING SCREWS WITH GREAT CARE ENSURE THE BOLTS USED ARE NOT ABLE TO PROTRUDE MORE THAN 10mm INTO THE THREADED SECTION OF THE MOUNTING POINT IN THE BACK OF THE TV SCREEN.



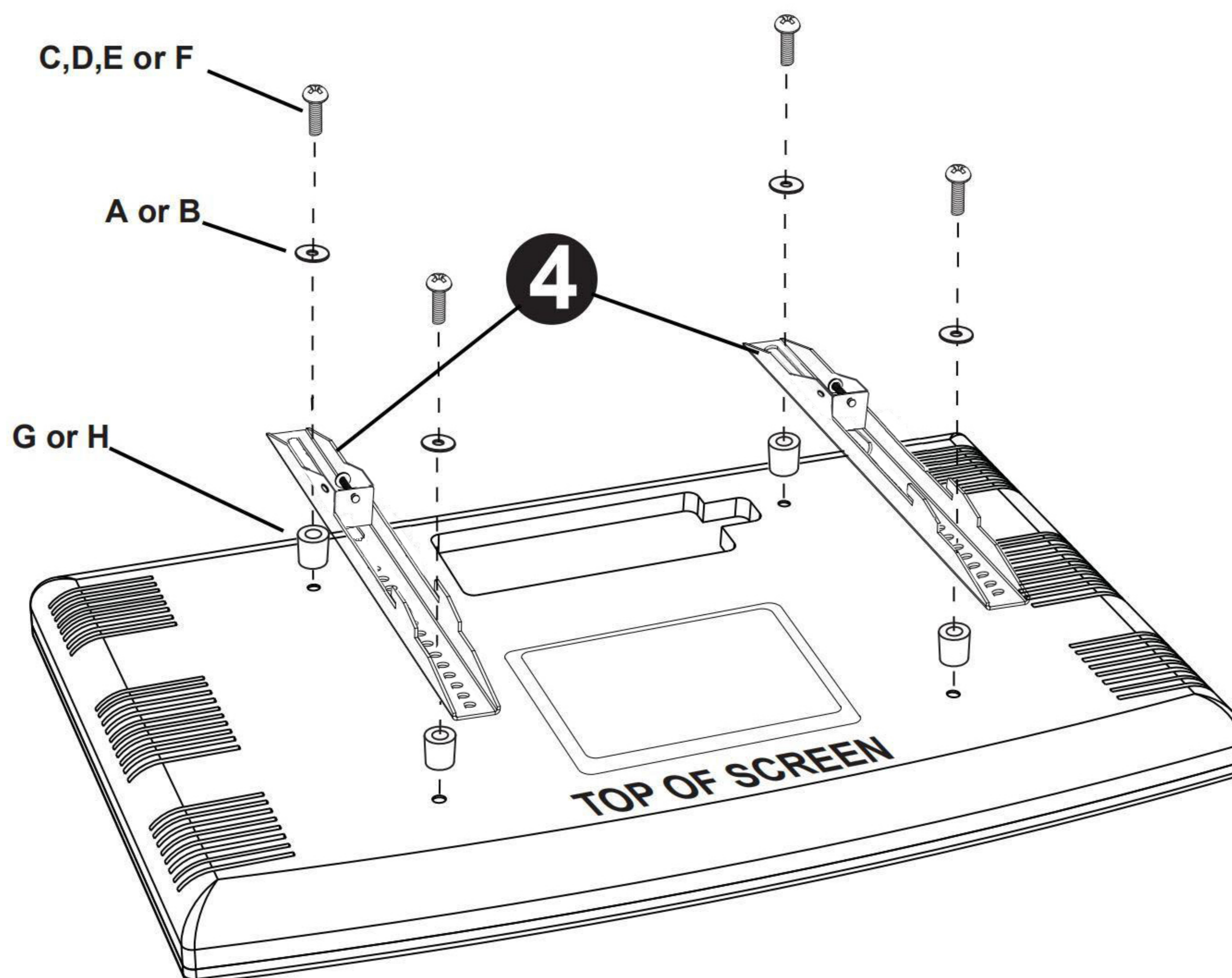
# MODEL : HYBRID 950 SCREEN MOUNTING SYSTEM

## STEP 4

MOUNTING BRACKETS TO A TV SCREEN WITH A FLAT BACK



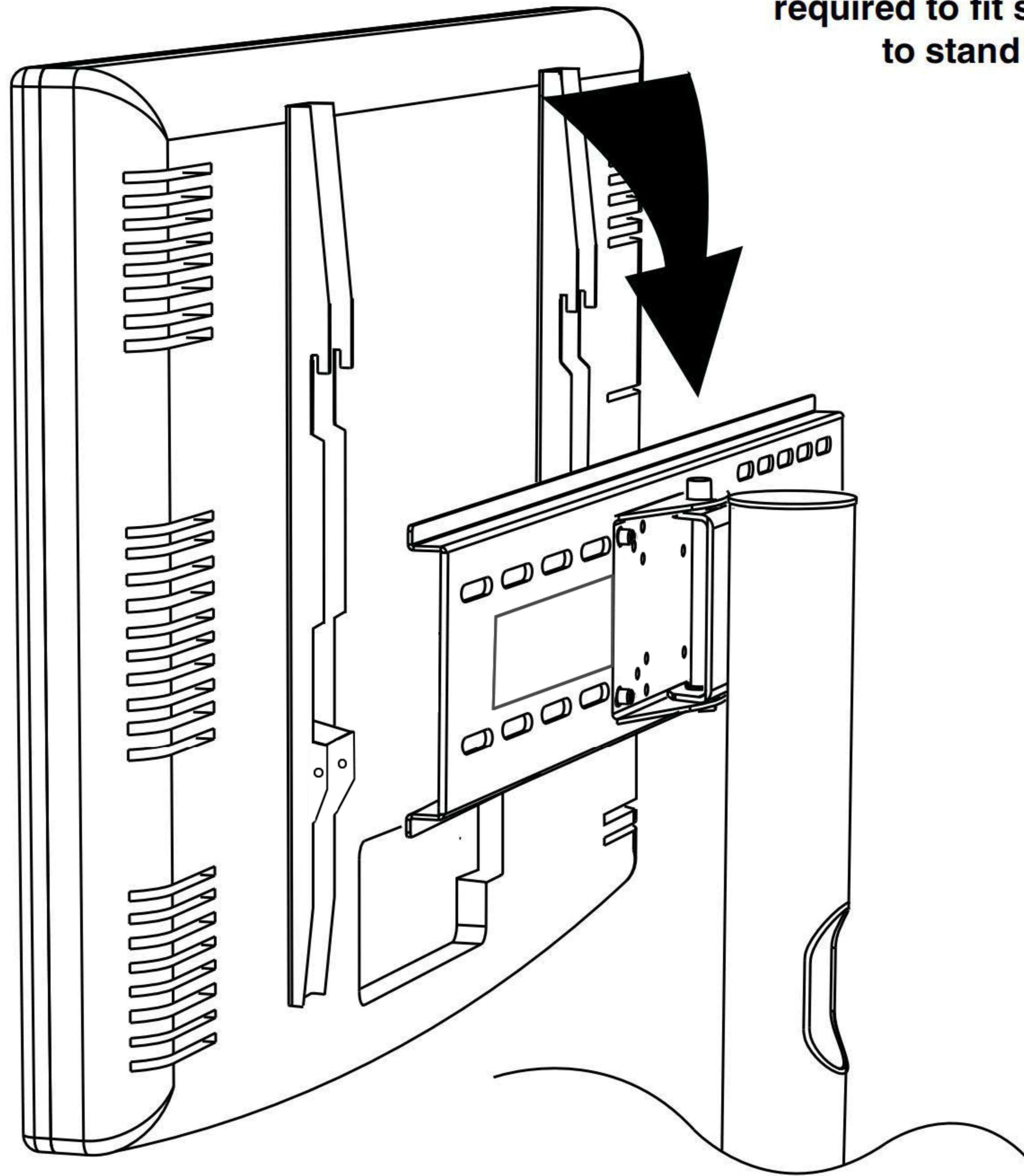
MOUNTING BRACKETS TO A TV SCREEN WITH A CURVED BACK,  
RECESSED INSERTS OR OTHER OBSTRUCTION



# MODEL : HYBRID 950 SCREEN MOUNTING SYSTEM

Two persons are  
required to fit screen  
to stand

## STEP 5



## STEP 6

SECURE THE TV SCREEN BY TIGHTENING THE 2 BOLTS ON THE MOUNTING ARMS

